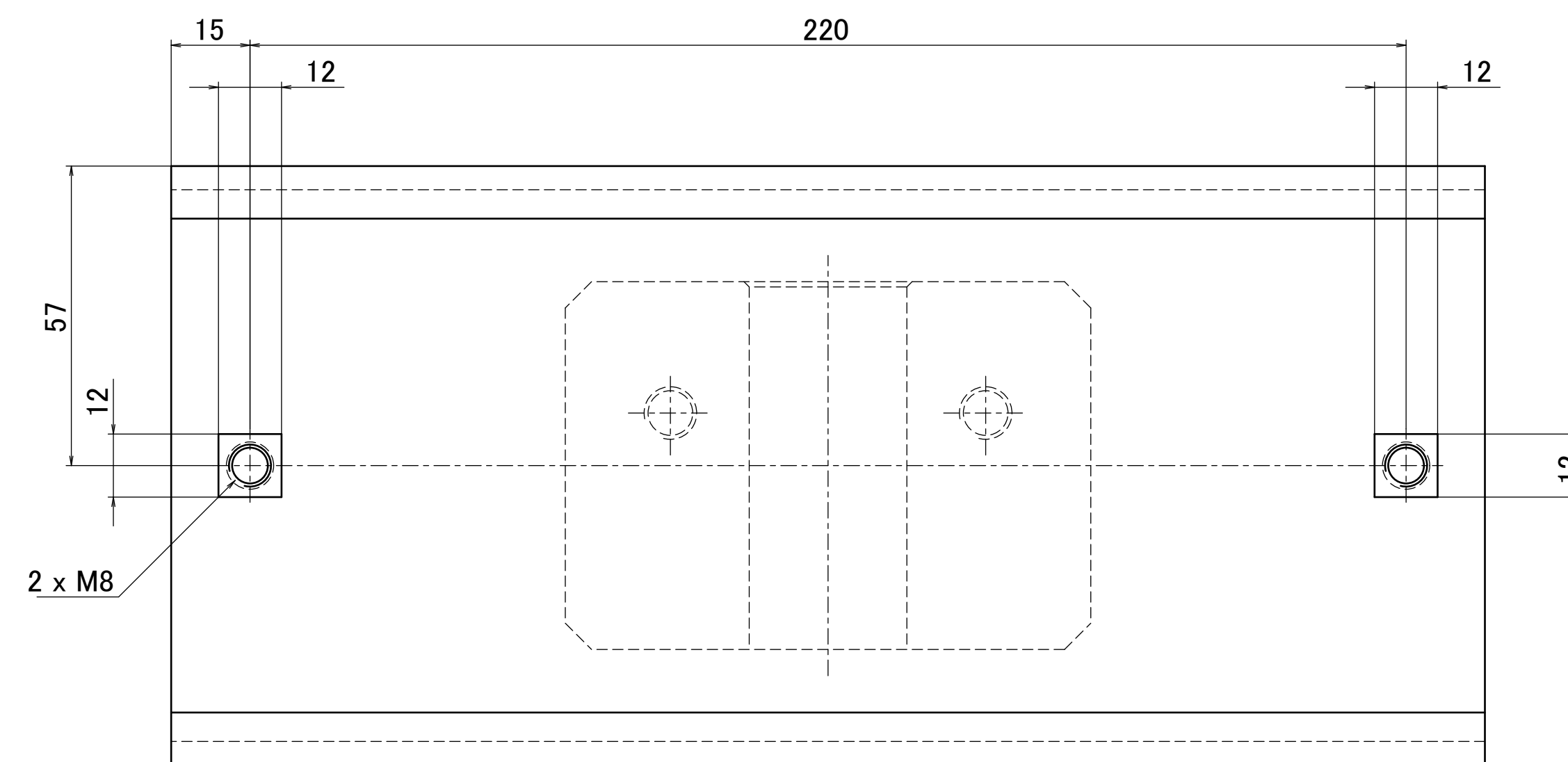
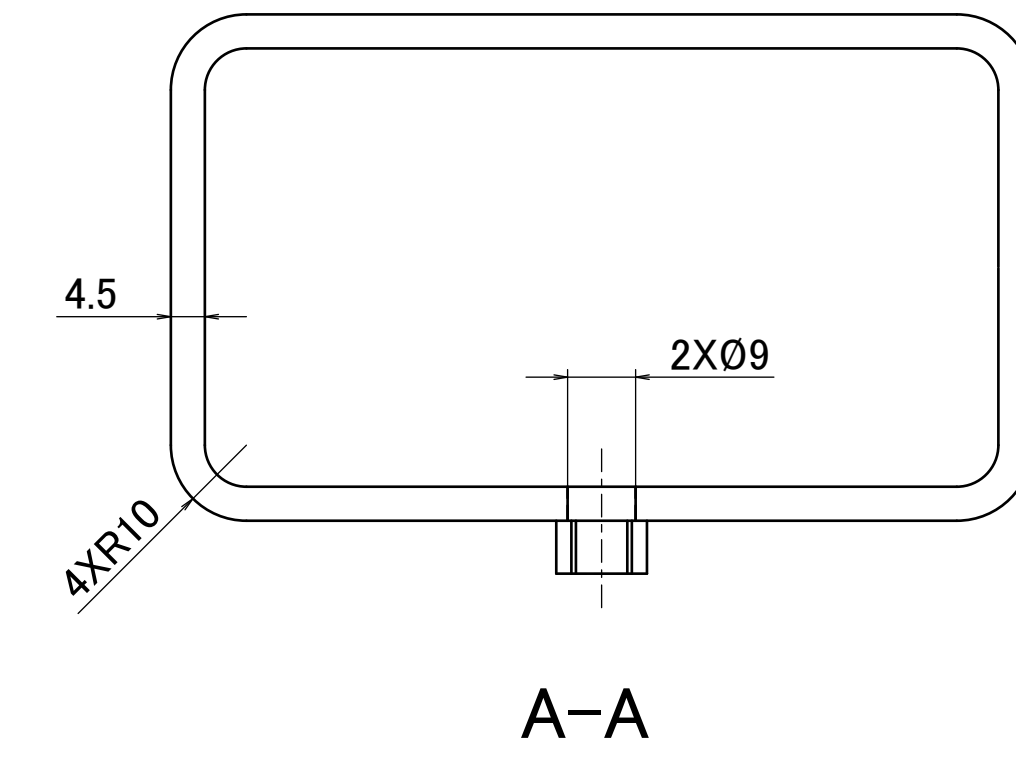
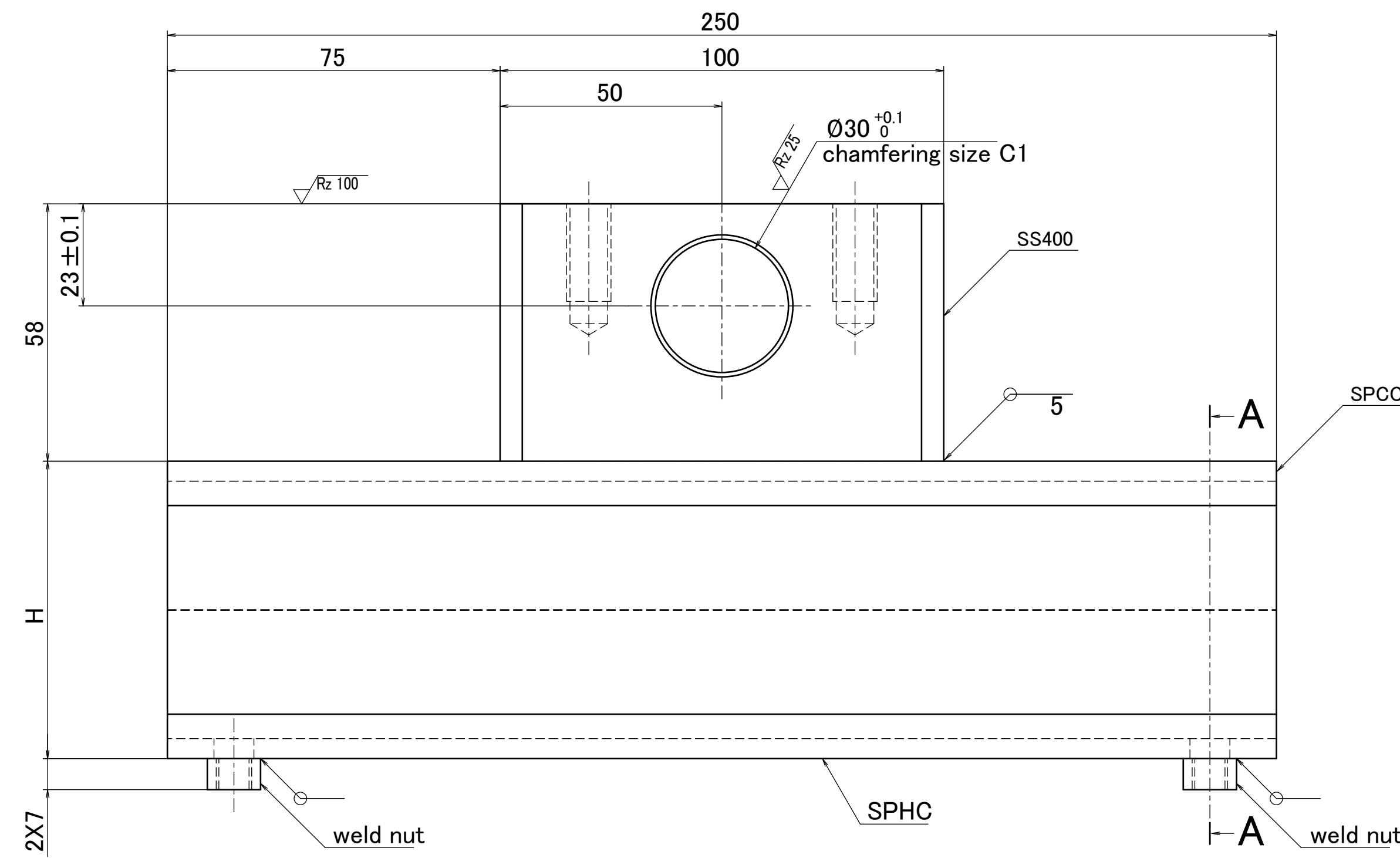
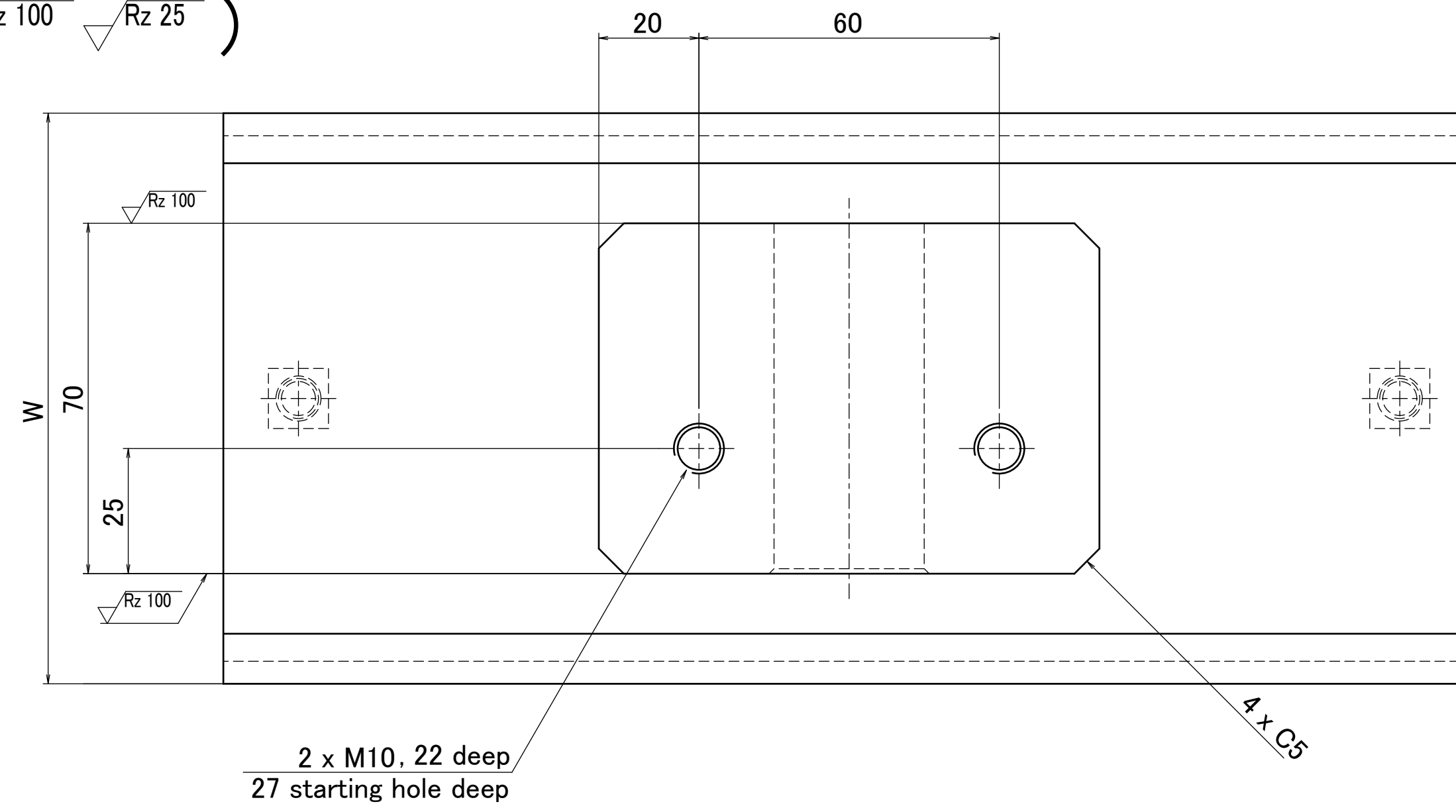


Reference Drawings of Suspension Jig B

$\nabla$  (  $\nabla$  Rz 100  $\nabla$  Rz 25 )



W and H should be adjusted to match the user's lifter.  
Unless otherwise specified, corners should be C0.1 to C0.5.